

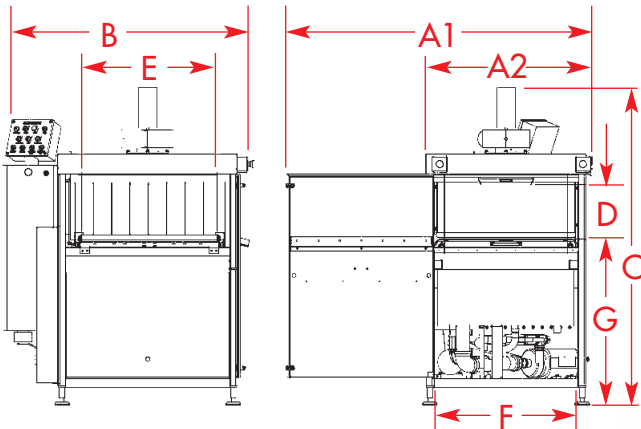


## ULTRASHRINK™ 3012

# AUTOMATIC HOT WATER SHOWER SHRINK TUNNEL

### Our UltraShrink 3012 Inline Shrink Tunnel Features:

- All stainless steel construction
- Easy sanitation, removable transport conveyor
- Emergency stop switches
- Electric or steam heating
- Automatic water level control
- Digital water temperature control
- Easy access drainage spout
- Conforms to UL 963 and CSA 22.2 Standards



### Contact us at:

UltraSource LLC  
1414 West 29th Street  
Kansas City, MO 64108-3604 USA

**800.777.5624**

Telephone: 816.753.2150  
Fax: 816.753.4976  
info@UltraSourceUSA.com  
UltraSourceUSA.com



**UltraSource®**

© Copyright 2013 UltraSource LLC

**Think UltraSource First.**

### UltraShrink™ 3012 Specifications:

A1	Width (door open)	64.5" (1,664mm)
A2	Width (door closed)	34.9" (887mm)
B	Length	52.26" (1,328mm)
C	Maximum Height	70" (1,778mm)
D	Maximum Product Height	12" (305mm)
E	Conveyor Width	30" (762mm)
F	Conveyor Length	31.14" (790mm)
G	Conveyor Height	36" (914mm)
	Product Opening	28.75" W x 14" H (730 x 356mm)
	Maximum Belt Speed	37 feet per minute
	Net Weight	980 lbs. (445kg)
	Electrical (3-phase)	208, 240, 380, 480, 575 volt