

The background of the image is a faded, grayscale photograph of industrial machinery, specifically large bowl cutters. The machinery is complex, with various metal components, pipes, and structural elements visible. The lighting is soft, highlighting the metallic surfaces and the intricate design of the equipment. The overall tone is professional and industrial.

Industrial bowl cutters

fatosá, s.a.[®]

C200VV-C325VV

fatosa, s.a.

Industrial bowl cutters



C200VV
90 Kw



C325VV
110 Kw

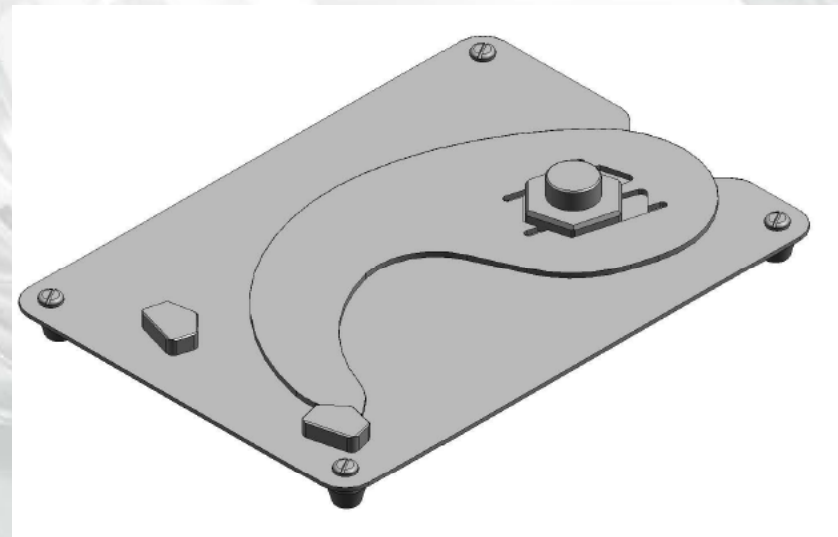
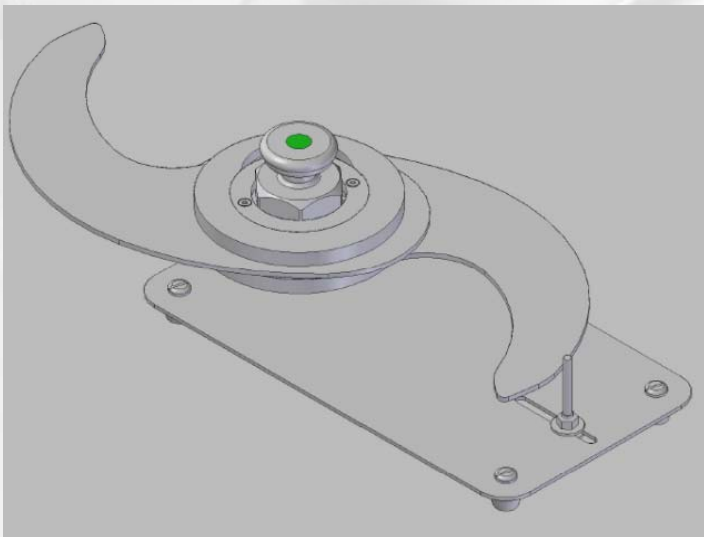
Technical data

- Stainless steel.
- Fulfilment of EU Norms.
- International hygienic Norms.
- Knives variable speed.
- Bowl variable speed.
- Delivered with 6 knives.
- 5 Cutting speeds (C200VV until 4.300 rpm – C325VV until 3.650 rpm)
- 1 Slow speed for mixing (backwards).
- 3 bowl speeds.
- Integrated electrical set.
- Commands by touch-screen and push-buttons.
- Indicators of temperature, knives speed and bowl turns.
- Automatic stop by temperature, time and bowl turns.
- Faults display.



Knives system – C200VV-C325VV

- Balancing system integrated in the knives shaft.
- Taifun knives for emulsions and universal cuts.
- 4 cut knives for frozen and granulated products.
- Fixation with dynamometric key.
- Maximum distance knives-bowl: 2 mm



Variable speed - Advantages:

- ⊙ AC Motors.
- ⊙ Possibility to choose the most suitable speed for each product . Adjustment from electronic panel.
- ⊙ Progressive start up:
 - > Lower consumption (No consumption peaks during start up)
 - > It needs lower dimensioned electrical lines (savings).
 - > Soft treatment of mechanisms.
 - > More efficient motor consumption.
- ⊙ Safe stop:
 - > Electronic brake (4").



Mechanics:

- ⦿ Robust construction.
- ⦿ Stainless steel of big thickness.
- ⦿ Body and knives support – one single piece.
- ⦿ Knives bearings over-dimensioned for high speeds.
- ⦿ Axial bowl bearing of big diameter.
- ⦿ Lids with fast open screws.
- ⦿ Centralized greasing.
- ⦿ Blockade knives lid system
- ⦿ Anti-vibration feed.
- ⦿ Water drain plug.



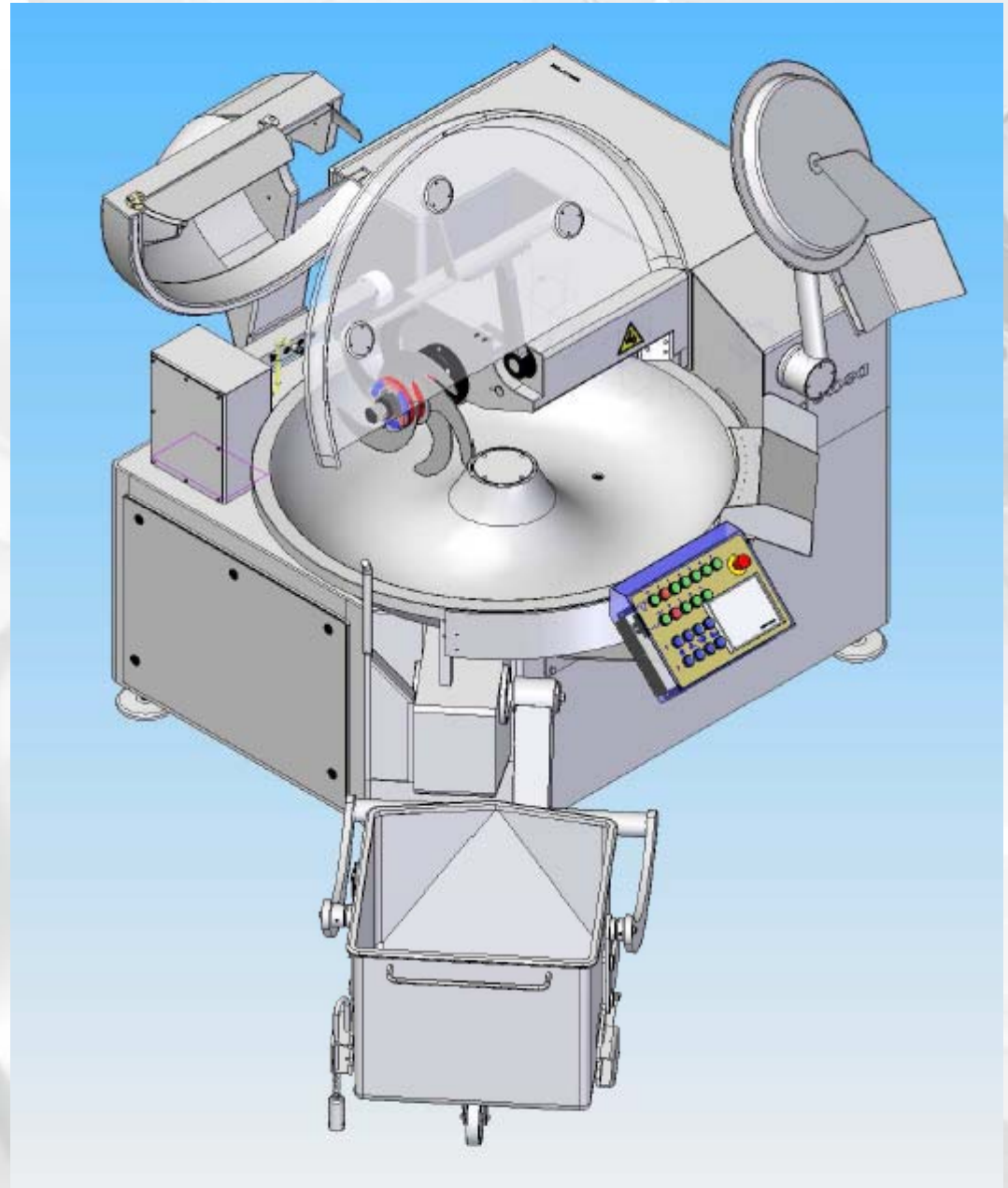
Hydraulic movements:

- ANTI-NOISE LID:
- Standard anti-noise lid in all models.
- Speed slows down when opening anti-noise lid.
- UNLOADER
- KNIVES LID
- TRUCKS LIFTER
- Movements slow down at the ends.



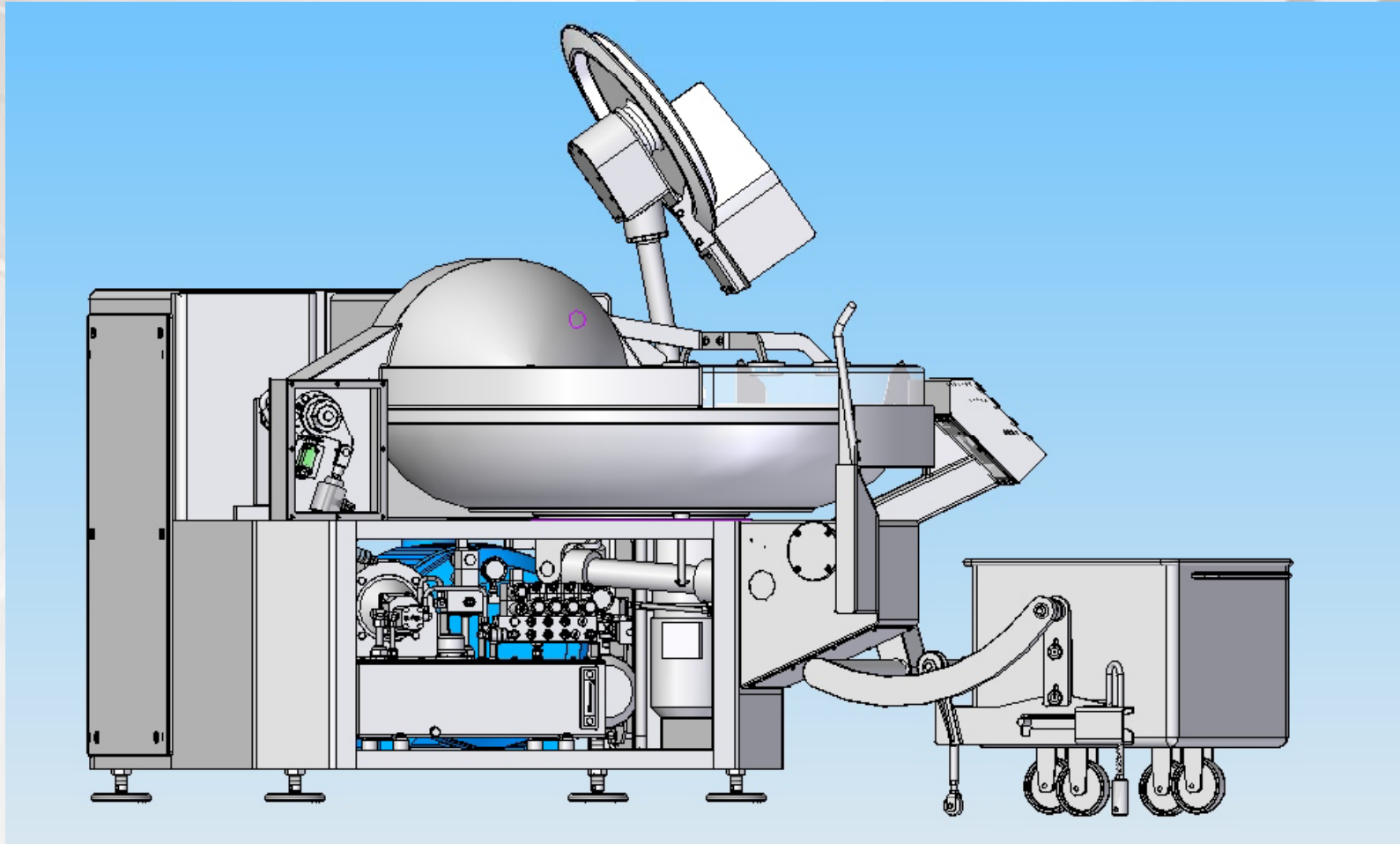
fatosa[®], s.a.

**View knives and
anti-noise lids**



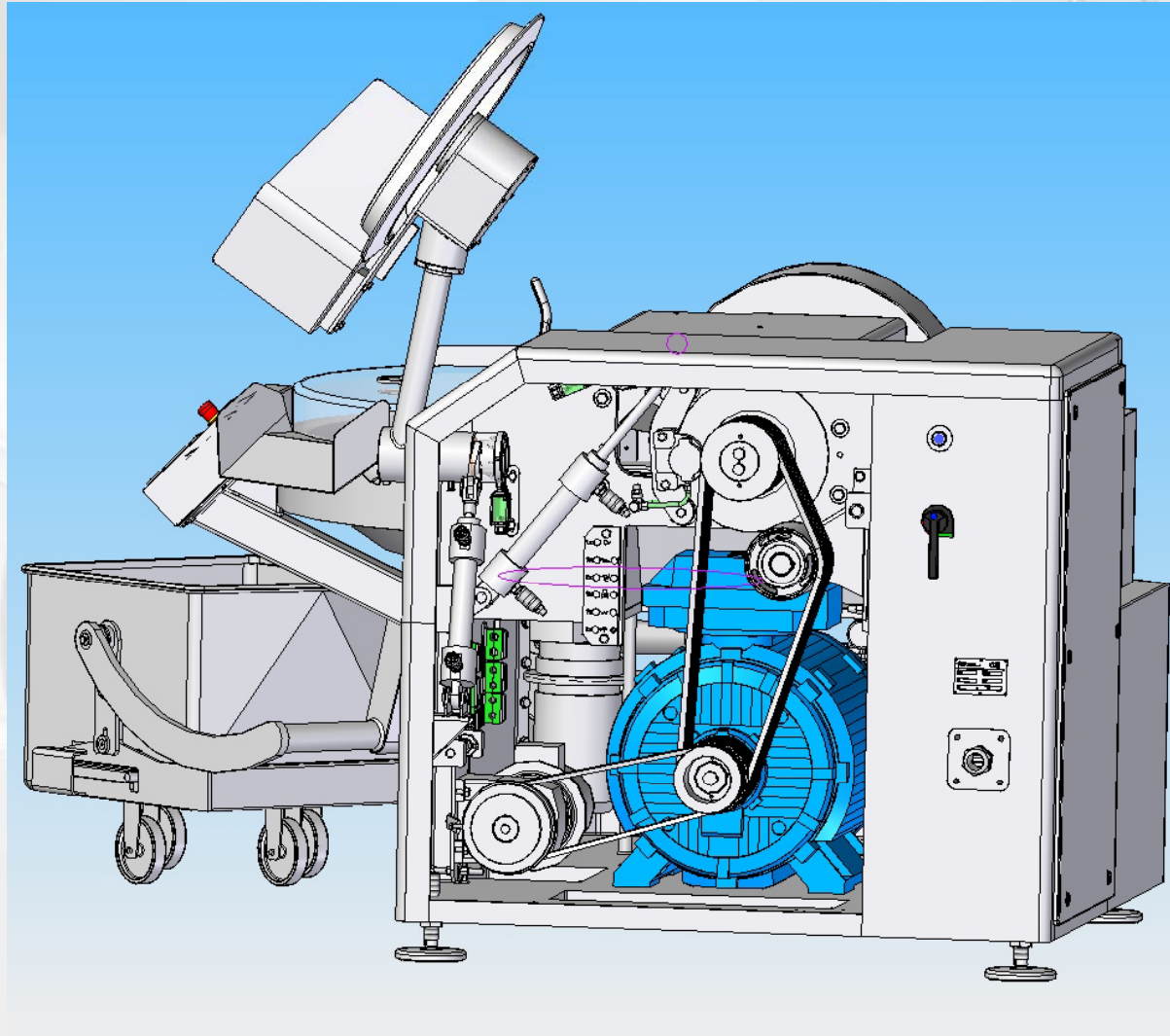
fatosa[®], s.a.

View hydraulic system:



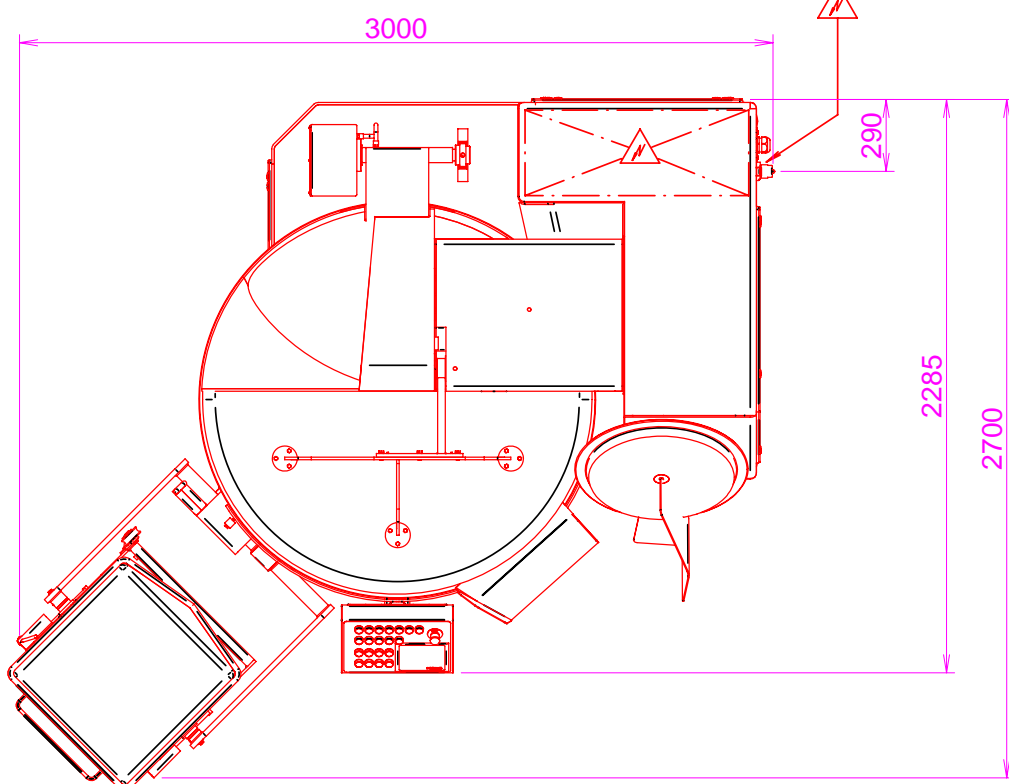
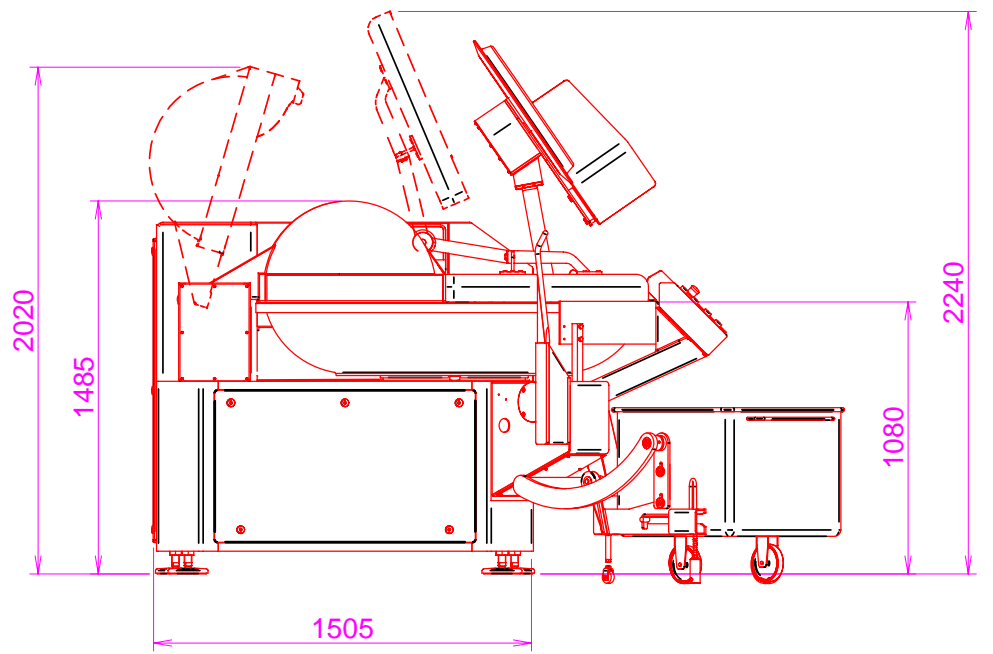
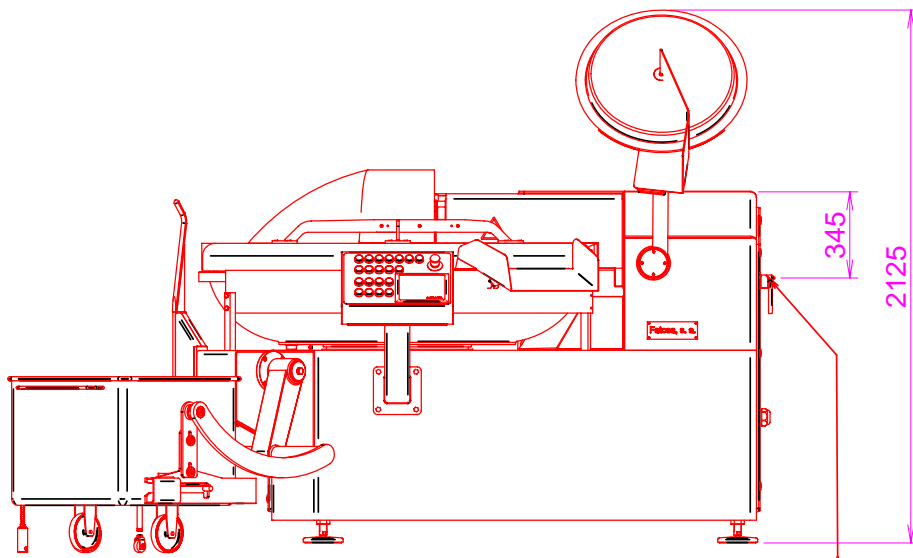
fátosa[®], s.a.

View motors side:





fatosa



Peso máquina 4000 Kg.

Denominación Máquina	CUTTER 325	fátosa, s.a. Sabadell
	DIMENSIONES MAQUINA - V.V.	
		13300-42